



# Catalogue

RELIABLE & SUSTAINABLE ENERGY SOLUTIONS



Visit our website : [www.imaxxenergie.com](http://www.imaxxenergie.com)

0977-851-2079 / +63 2 8990 2048

U-602, FSS 1 Building  
#20 Scout Tuason cor. Scout Castor Streets,  
Barangay Laging Handa, D4, Quezon City  
Philippines, 1103





The platform for everything.

Infinite possibilities for industry and IT.



**SK RTT Blue e WALL MOUNT  
COOLER 2500W, 400-460, 3P  
SK 3329.540**





**THERMOSTAT ENCLOSURE  
INTERNAL THERMOSTAT  
SK 3110.000**





**HYGROSTAT | SK 3118.000**





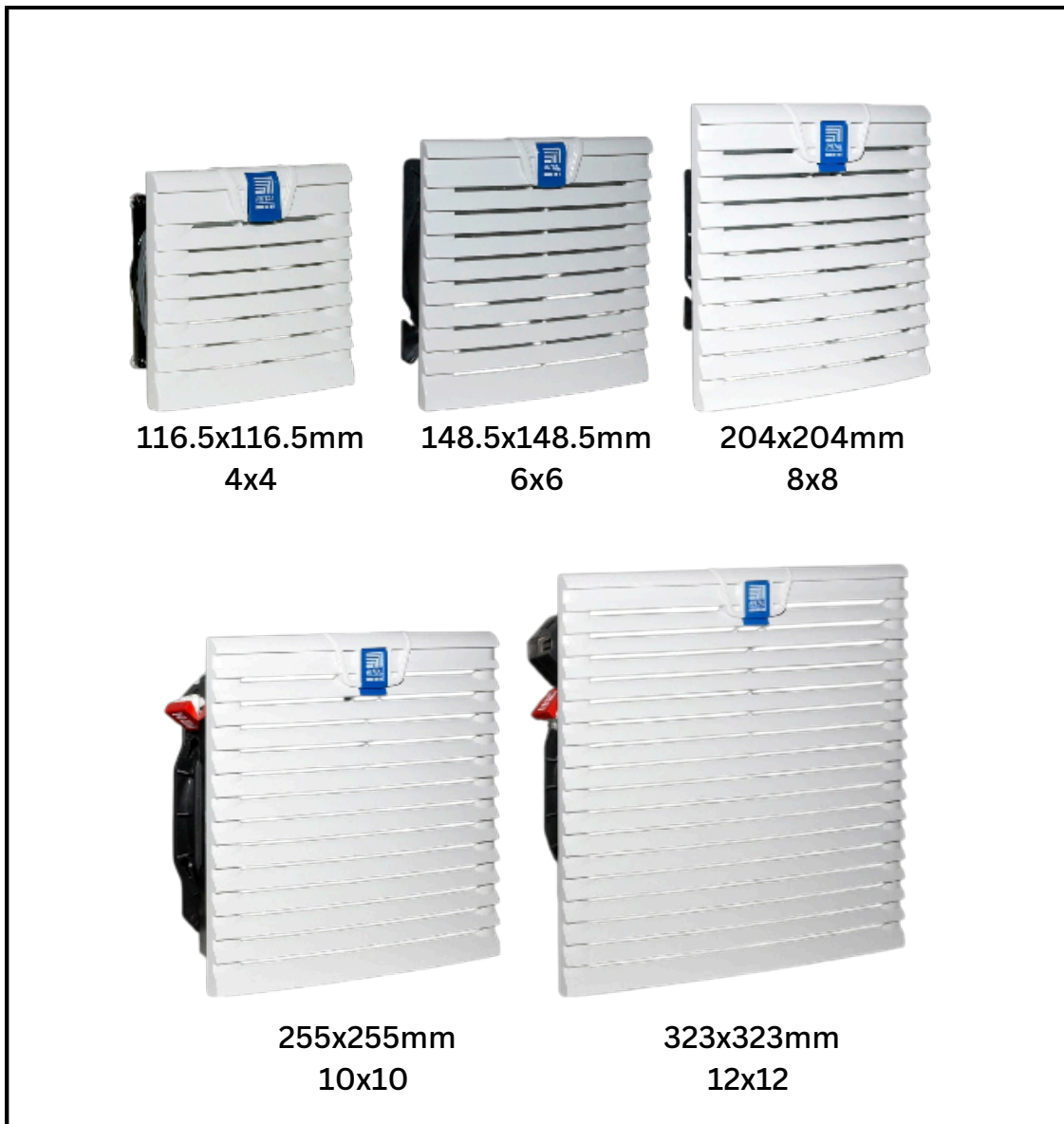
**BAYING SYSTEMS TS 8 ENCLOSURE  
TS 8806.500 | COMES WITH SIDE PANELS  
AND PLINTH IP 55, IK 09, RAL 7035**





**BAYING SYSTEMS TS 8 ENCLOSURE  
TS 8808.500 | COMES WITH SIDE PANELS  
AND PLINTH IP 55, IK 09, RAL 7035**





## TOP THERM FAN-AND-FILTER UNIT TOOL-FREE MOUNTING ON SURFACES | IP 54, RAL 7035





**TOPTHERM WALL-MOUNTED  
COOLING UNIT BLUE E 0.3 - 4 KW  
SK 3304.540**





**TOP THERM WALL-MOUNTED  
COOLING UNIT BLUE E 0.3 - 4 KW  
3303500**





**ENCLOSURE HEATER 75W | SK 3105.350**  
**ENCLOSURE HEATER 100W | SK 3105.360**  
**ENCLOSURE HEATER 150W | SK 3105.370**





**TOPTHERM WALL-MOUNTED  
COOLING UNIT BLUE E+ 1.6 - 5.5 KW  
SK 3185.830**





## **BASIC ENCLOSURE AX, SHEET STEEL AX 1214.000**





## **BASIC ENCLOSURE AX, SHEET STEEL AX 115.000**





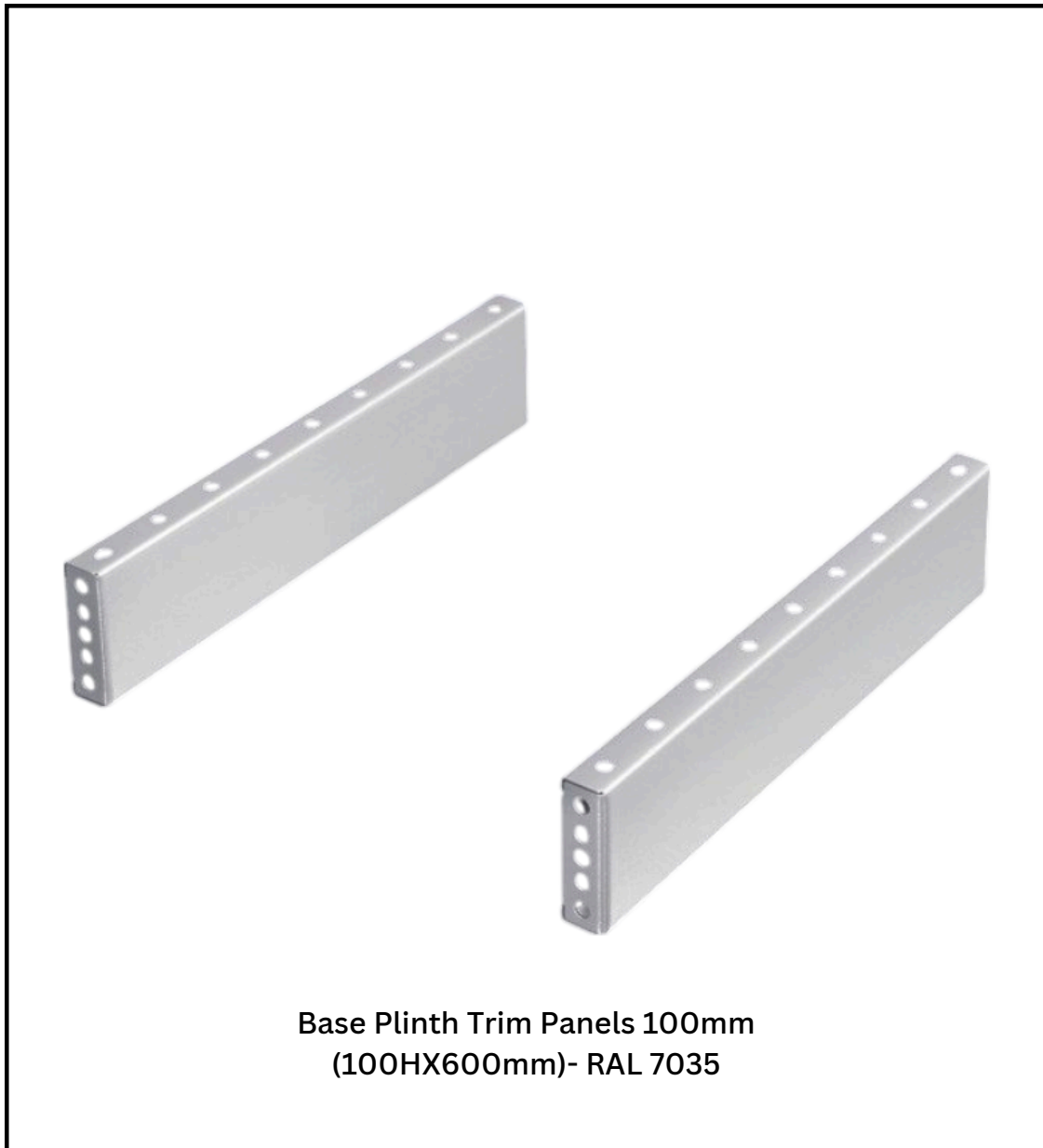
**TS 8108.235**  
**SIDE PANEL, SCREW-FASTENED,**  
**SHEET STEEL FOR TS, TS IT**





**TS 8106.235**  
**SIDE PANEL, SCREW-FASTENED,**  
**SHEET STEEL FOR TS, TS IT**





**BASE/PLINTH TRIM PANELS, SIDE,  
100 MM FOR BASE/PLINTH  
COMPONENTS FRONT AND REAR  
TS 8601.065**





BASE PLINTH FRONT & REAR 100mm  
(100Hx800Wmm) RAL 7035

**BASE/PLINTH COMPONENTS, FRONT  
AND REAR, 100 MM SHEET STEEL,  
FOR TS IT SE, CM, TP, PC, IW, TE  
TS 8601.805**





**BASE/PLINTH TRIM PANELS, SIDE,  
100 MM FOR BASE/PLINTH  
COMPONENTS FRONT AND REAR  
TS 8601.080**





**BASE/PLINTH COMPONENTS, FRONT  
AND REAR, 100 MM SHEET STEEL,  
FOR TS, TS IT, SE, CM, TP, PC, IW, TE  
TS 8601.800**





FOR THE ROUND HOLES 4.5 MM  
DIAMETER IN THE ENCLOSURE  
SECTION, PUNCHED RAILS AND  
PUNCHED SECTIONS WITHOUT  
MOUNTING FLANGES.

## **SELF-TAPPING PAN HEAD SCREW SZ 2489.500**

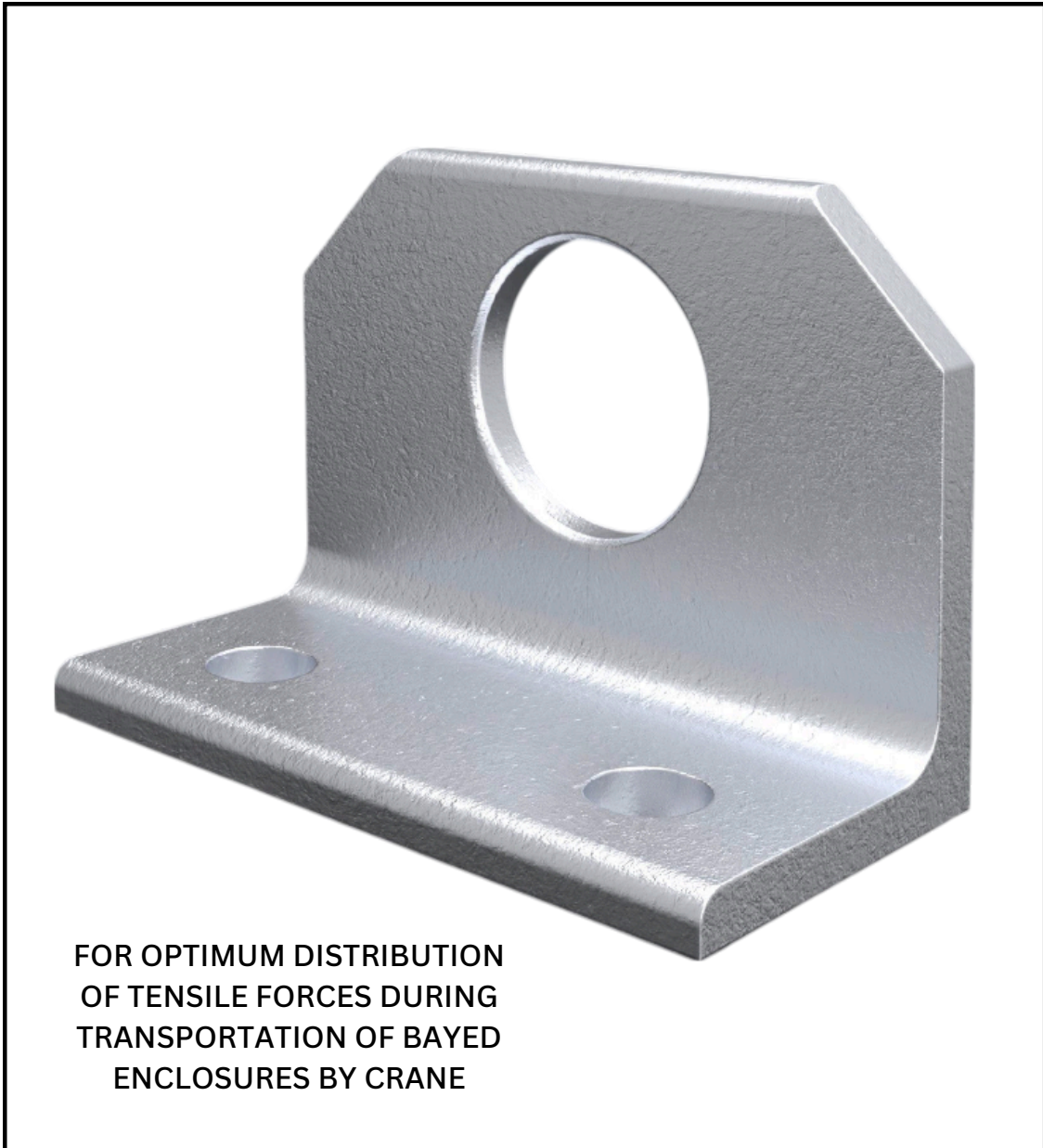




FOR FASTENING TO TUBULAR  
DOOR FRAMES AT ANY HEIGHT.

**SZ 4118.000**  
**WIRING PLAN POCKET OF SHEET**  
**STEEL FOR VX, TS, VX SE, PC, TP**  
**PEDESTAL FOR 800M**





**SZ 4540.000 LIFTING LUG FOR PS/TS  
COMBINATION ANGLE FOR VX, TS**





LECTERN FOR 800MM WIDE DOOR  
613Wx400Dmm

## PS 4638.800 | UTILITY LECTERN FOR VX, TS, VX SE, TP, PC





**TS 4696.000**  
**SUPPORT STRIP FOR VX, TS, VX SE, TP, AX**





To fit width/depth: 800 mm  
Length: 740 mm

## **TS 4697.000** **SUPPORT STRIP FOR VX, TS, VX SE, TP, AX**





**TS 8800.430**  
**ANGULAR BAYING BRACKET FOR TS/TS**





## TS 8800.865 | BAYING COVER, TOP FOR VX, VX IT, TS, TS IT

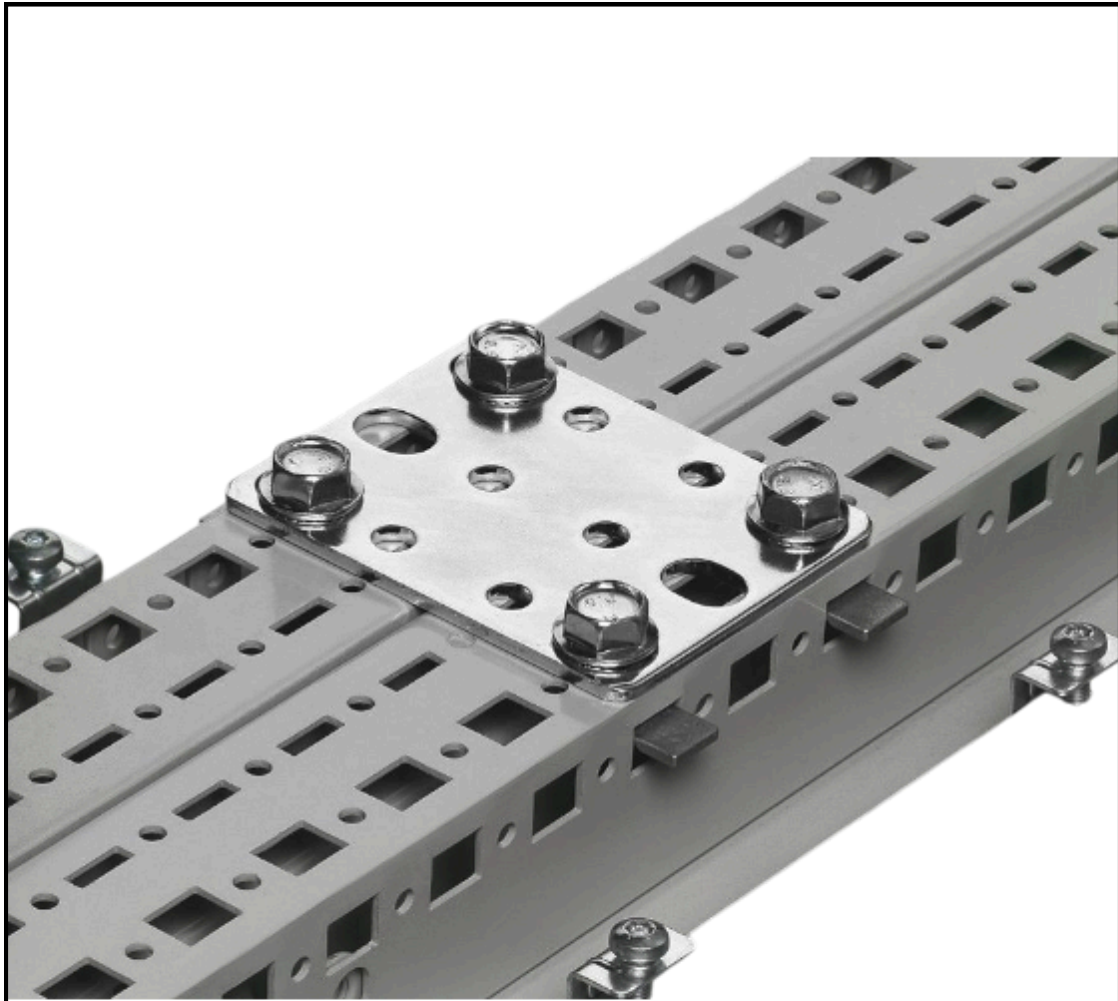




TS BAYING COVER, TOP,  
FOR D: 800 MM,  
PLASTIC, RAL 7035

## **TS 8800.885 | BAYING COVER, TOP FOR VX, VX IT, TS, TS IT**





TS INTERCONNECTING BRACKETS

**TS 4582.500**  
**BAYING BRACKETS FOR TS/TS, TS/PS**





**TS 8610.805**  
**GLAZED DOOR FOR TS, TS IT, VX SE**





## **SR 2342.235 | SWING FRAME, LARGE, WITH TRIM PANEL FOR TS, VX SE 800 MM WIDE ENCLOSURES**

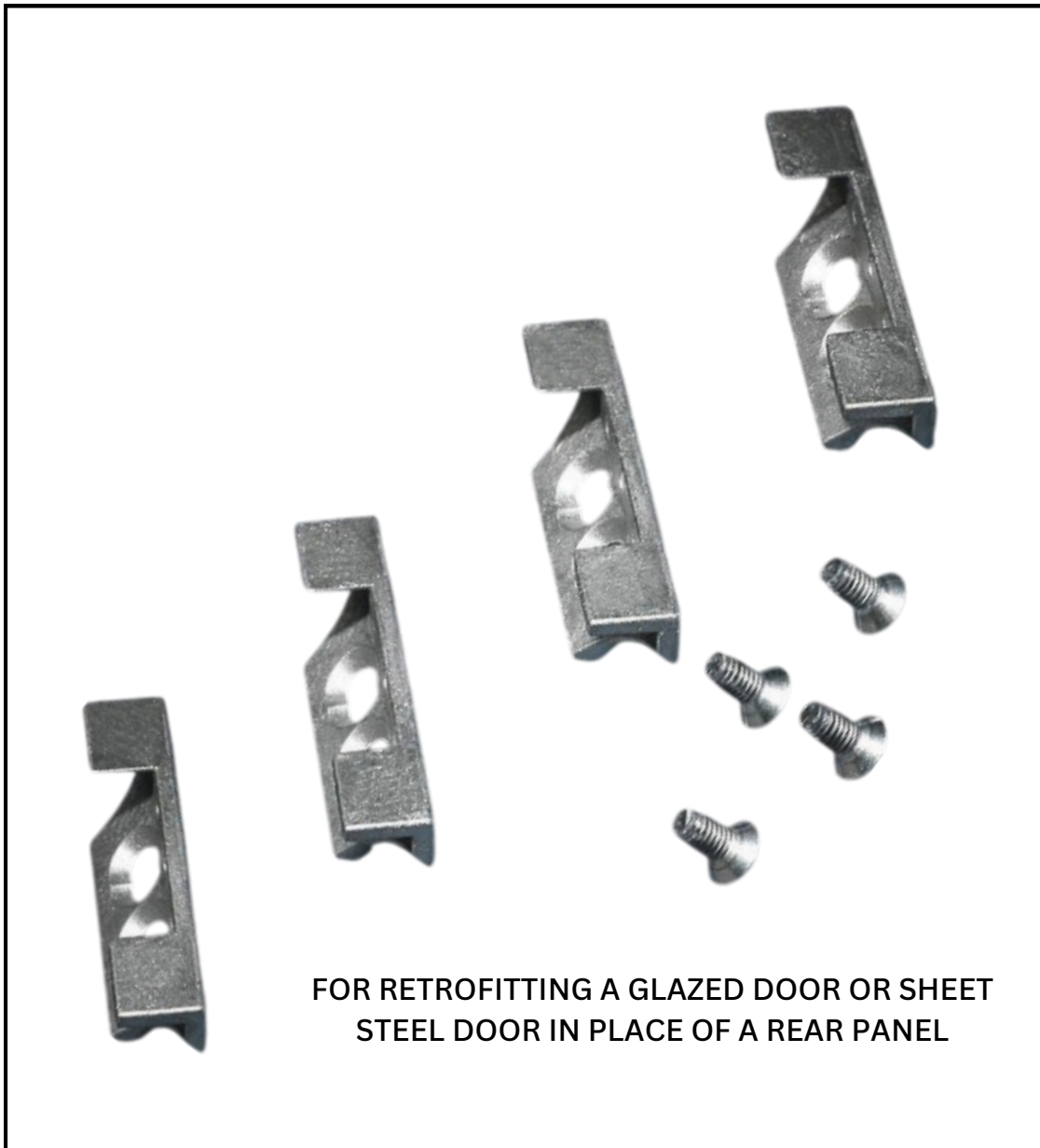


TS HANDLE ADAPTOR FOR  
COMFORT HANDLE, FOR  
GLAZED DOOR TS, RAL 7035



## TS 8611.080 HANDLE ADAPTOR FOR COMFORT HANDLE

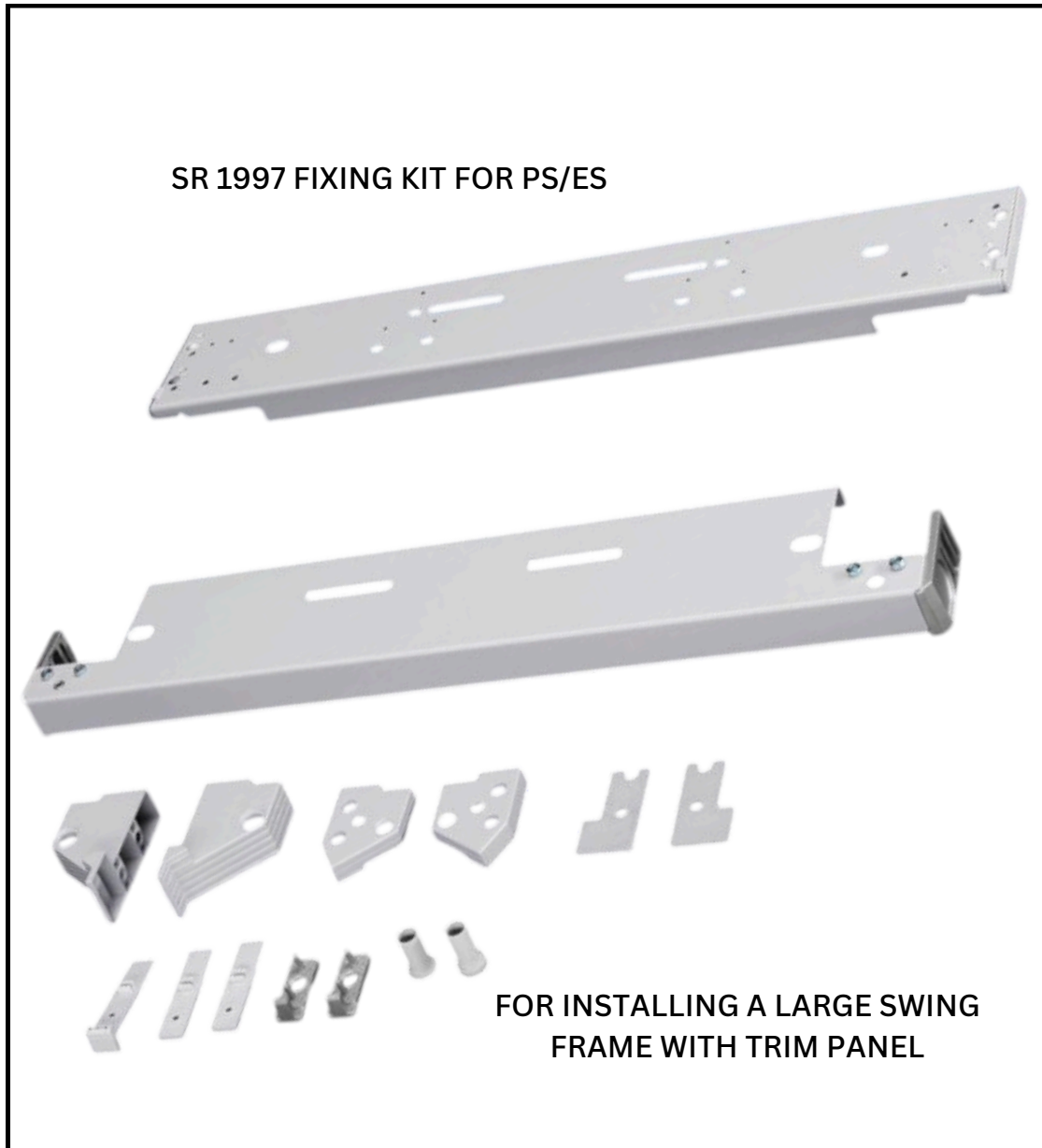




FOR RETROFITTING A GLAZED DOOR OR SHEET  
STEEL DOOR IN PLACE OF A REAR PANEL

**TS 8800.040**  
**FIXING COMPONENTS FRAME**  
**LOCK COMPONENTS FOR TS, TS IT, VX SE**





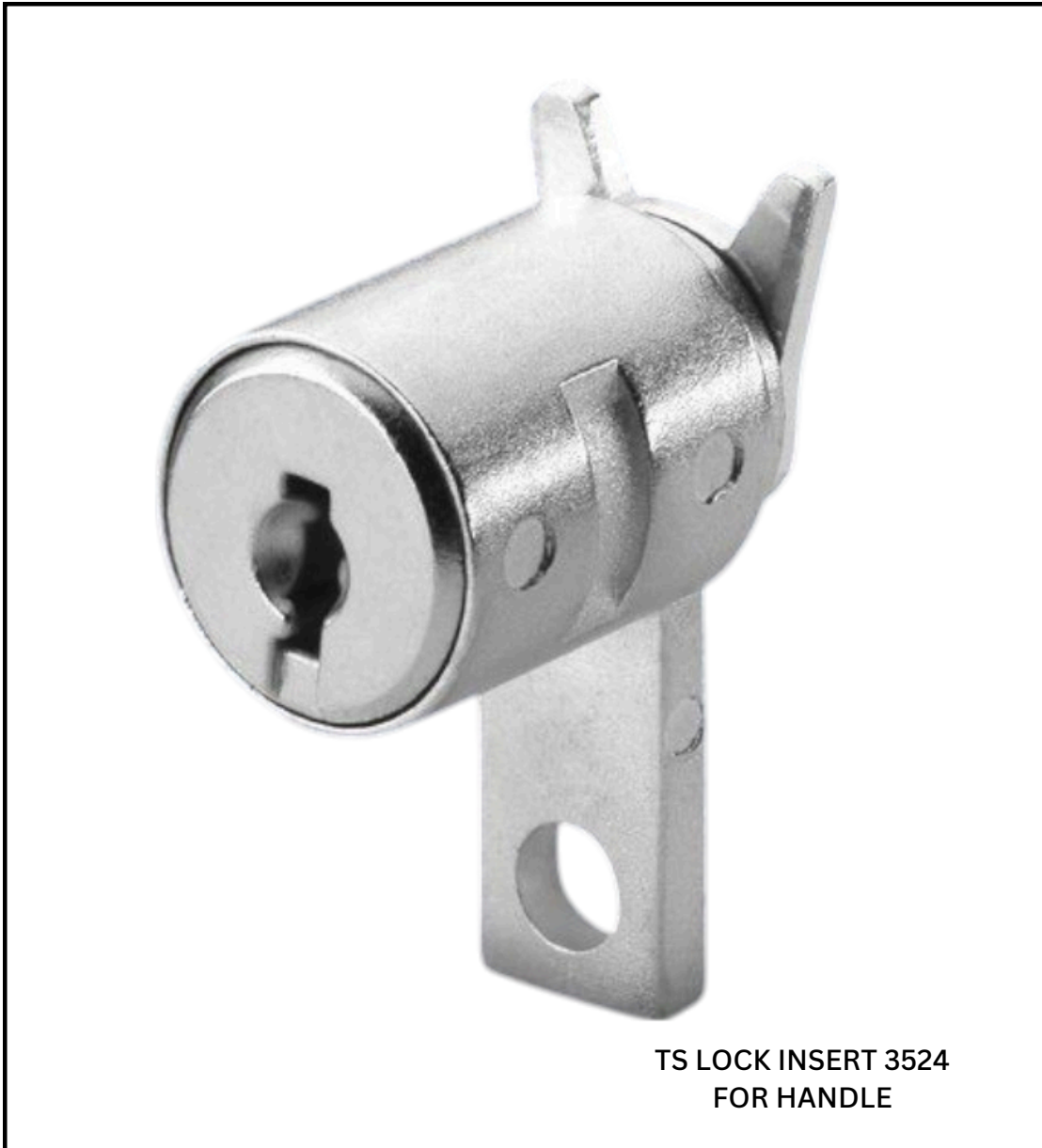
## SR 1997.235 INSTALLATION KIT FOR SWING FRAME, LARGE, WITH TRIM PANEL





**TS 8611.020**  
**COMFORT HANDLE FOR**  
**TS, TS IT, VX SE, PC, IW**





## **TS 8611.180 LOCK AND PUSH-BUTTON INSERTS FOR HANDLE SYSTEMS**





## SK 3237.200 OUTLET FILTER STANDARD



Imaxx Energie Solutions Corp is a leading provider of innovative, high-quality, and energy-efficient products. Our mission is to meet the growing demands of our rapidly expanding industry and population by delivering exceptional solutions that exceed our customers' expectations.

We are committed to providing our customers with products from renowned and respected brands, including Rittal Enclosures and Cooling Units, Phoenix Contact, Leipole, and Siemens. Our extensive portfolio of products ensures that we can meet the diverse needs of our clients from industrial automation, power substations, and data center infrastructure.

For more information on our latest product, visit [www.imaxxenergie.com](http://www.imaxxenergie.com)

